

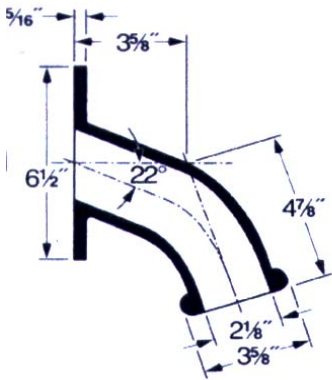


**SAN DIEGO SEAL, INC.**

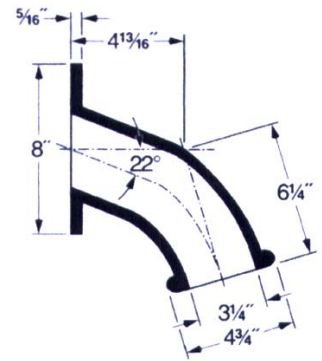
**INDUSTRIAL & MARINE SEALING DEVICES**

# SCUPPER LIPS

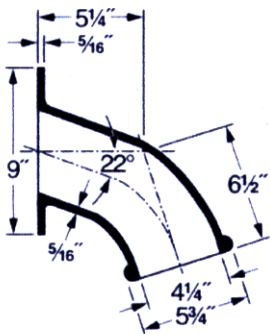
PART NO: 15-1380R  
NAVY MOLD: 3570  
SHORT NECK



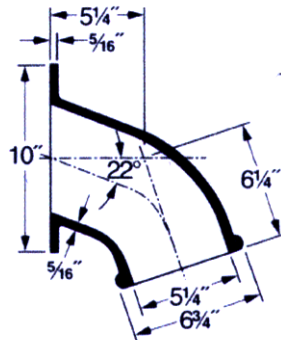
PART NO: 15-673R  
NAVY MOLD: 3571  
SHORT NECK



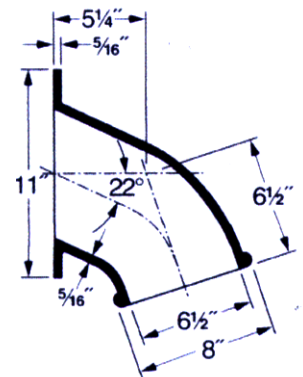
PART NO: 15-1131R  
NAVY MOLD: 3572  
SHORT NECK



PART NO: 15-1489R  
NAVY MOLD: 3573  
SHORT NECK



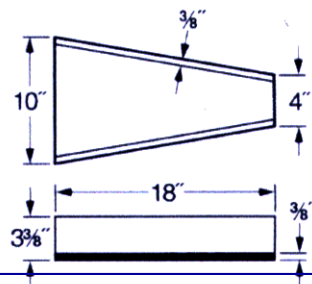
PART NO: 15-3379R  
NAVY MOLD: 3574



WATER TRI-EXTENSION  
HARDWARE KIT  
PART NO: 15-1094RHK

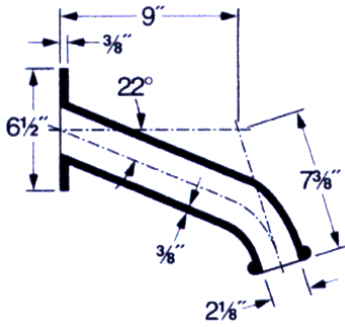


WATER TRI-EXTENSION  
PART NO: 15-1094R  
NAVY MOLD: 1376-A

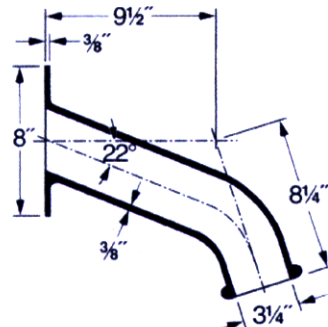


# SCUPPER LIPS

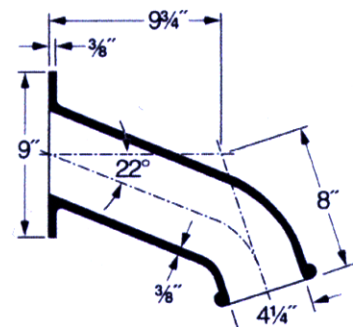
PART NO: 15-4369R  
NAVY MOLD: 3575  
LONG NECK



PART NO: 15-6035R  
NAVY MOLD: 3576  
LONG NECK



PART NO: 15-1240R  
NAVY MOLD: 3577  
LONG NECK

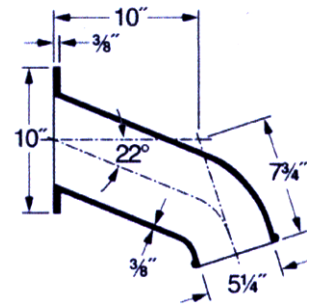


PART NO: 15-4369R  
NAVY MOLD: 3575

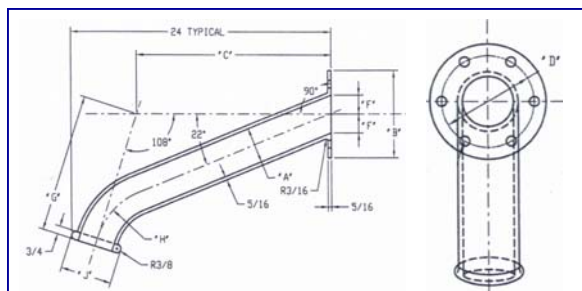
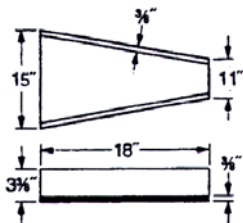
INSTALLED ON  
USNS BOB HOPE



PART NO: 15-5752R  
NAVY MOLD: 3578  
LONG NECK



TRI SCUPPER MODIFIED  
PART NO: 15-4610R



| MOLD NO. | SIZE | A     | B     | C        | D     | E | F      | G        | H     | J     |
|----------|------|-------|-------|----------|-------|---|--------|----------|-------|-------|
| 1        | 2"   | 2 1/8 | 6 1/2 | 18 5/8   | 5     | 6 | 1 5/32 | 12 3/16  | 4 1/2 | 3 5/8 |
| 2        | 3"   | 3 1/4 | B     | 17 15/16 | 6 3/8 | 6 | 1 3/4  | 12 11/16 | 6 1/2 | 4 3/4 |

CUSTOM 24" LOCK NECK

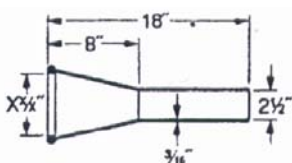
2" FLANGE PN: SDSI24.00X2.00SL  
3" FLANGE PN: SDSI24.00X3.00SL



CUSTOM 24" LOCK NECK  
INSTALLED ON  
USS MAKIN ISLAND LHD-8



PART NO: 15-618R  
FUNNEL TYPE



**SAN DIEGO SEAL, INC.**

7635 RONSON ROAD · SAN DIEGO, CALIFORNIA 92111

TEL: 858-278-3270 · FAX: 858-278-2950

E-MAIL: sales@sandiegoseal.com · VISIT US AT: www.sandiegoseal.com

## SCUPPER LIP FLANGES

| FLANGE PART NUMBER        | FOR SCUPPER LIP PART NO. / MOLD NO. | FLANGE O.D. | NO. OF BOLTS |
|---------------------------|-------------------------------------|-------------|--------------|
| <b>SDS-3570-75-XXX-YY</b> | 15-1380R / 3570 (SHORT NECK)        | 6-1/2"      | 6 EA         |
|                           | 15-4369R 3575 (LONG NECK)           |             |              |
| <b>SDS-3571-76-XXX-YY</b> | 15-673R / 3571 (SHORT NECK)         | 8"          | 6 EA         |
|                           | 15-6035R / 3576 (LONG NECK)         |             |              |
| <b>SDS-3572-77-XXX-YY</b> | 15-1131R / 3572 (SHORT NECK)        | 9"          | 8 EA         |
|                           | 15-1240R / 3577 (LONG NECK)         |             |              |
| <b>SDS-3573-79-XXX-YY</b> | 15-1489R / 3573 (SHORT NECK)        | 10"         | 8 EA         |
|                           |                                     |             |              |
| <b>SDS-3574-XXX-YY</b>    | 15-3379R / 3574                     | 11"         | 8 EA         |
|                           |                                     |             |              |

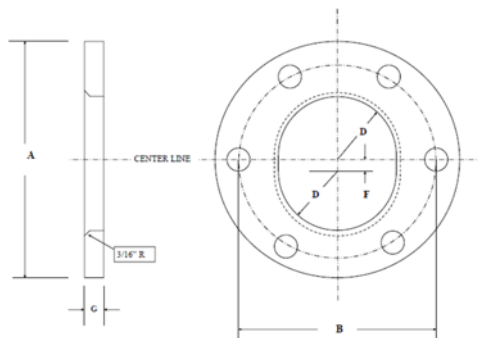
WHEN REQUESTING A QUOTE OR AN ORDER, PLEASE SPECIFY THICKNESS (XXX)  
AND TYPE OF MATERIAL (YY)

EXAMPLE: SDS-3571-76-375-SS

AVAILABLE THICKNESSES

375 – 3/8"

500 – 1/2"



TYPES OF MATERIAL AVAILABLE

SS – 316 STAINLESS STEEL

CS – CARBON STEEL

GS – GALVANIZED STEEL