



**SAN DIEGO SEAL, INC.**

**INDUSTRIAL & MARINE SEALING DEVICES**

7635 RONSON ROAD • SAN DIEGO, CALIFORNIA 92111 • TEL: 858-278-3270 • FAX: 858-278-2950  
E-MAIL: sales@sandiego seal.com • VISIT US AT: www.sandiego seal.com

## MANWAY ACCESS COVER GASKETS



**U.S. NAVY  
MILITARY SEALIFT COMMAND  
U.S. COAST GUARD  
COMMERCIAL VESSELS**



- Custom cut to customers specifications, based on drawings or samples.
- Stock of a wide range of gasket sheet materials.
- Manufactured IAW MIL-Spec-Requirements.
- Materials: Cork/Buna-n, Neoprene, Flexible Graphite, Fiberglass, EPDM, **\*UNAFLEX NYLON INSERTED RUBBER MATERIALS**
- Suitable for: Fuel Oils, Exhaust, Water and Gases.
- Low and high volume capabilities.

**\*UNAFLEX NYLON INSERTED RUBBER TYPE 87, 94, 95 and 96 ARE APPROVED FOR USE BY THE U.S. NAVY UNDER MIL-STD-777F and MIL-STD 438**



**WHEN REQUESTING A QUOTE PLEASE SPECIFY DIE NUMBER AND TYPE OF MATERIAL  
DIE DIMENSIONS ARE ON THE FOLLOWING PAGE, IF YOUR MANHOLE COVER GASKET DOES NOT  
MATCH UP PLEASE PROVIDE EITHER DRAWINGS OR SAMPLES**

# MANHOLE COVER GASKET MATERIALS LIST

## FUEL OIL

- CORK & BUNA-N (SAE-AMSC6183)
- UNAFLEX NYLON INSERTED RUBBER TYPE 94 & 95

## EXHAUST, GAS TURBINE, DIESEL INCINERATOR

- FLEXIBLE GRAPHITE
- FIBERGLASS, WIRE INSERTED (HH-P-0031)

## SEAWATER

- UNAFLEX NYLON INSERTED RUBBER TYPE 87

## AFFF

- UNAFLEX NYLON INSERTED RUBBER TYPE 94 & 95
- EPDM (MIL-DTL-22050)

## WASTEWATER, CHT, OILY WATER, WEATHER DECK DRAINAGE and CONTAMINATED DECK DRAINS

- SYNTHETIC RUBBER (MIL-PRF-1149)
- SYNTHETIC RUBBER CLOTH INSERTED (HH-P-151)
- UNAFLEX TYPE 96 (AS APPROVED)

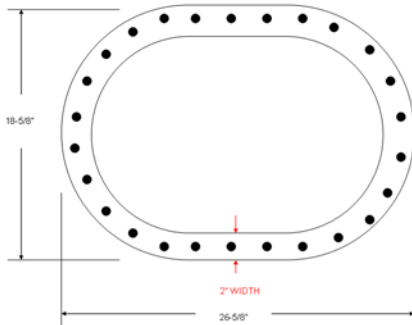


\*FOR ALL OTHER SYSTEM APPLICATIONS PLEASE REFER TO MIL-STD-777F

## MOST COMMON MANHOLE COVER DIMENSIONS

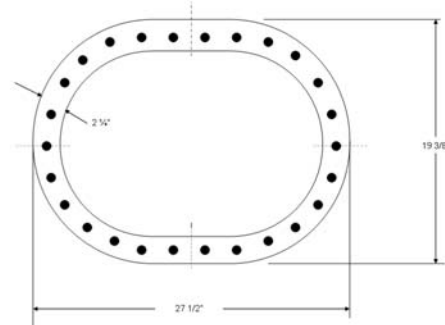
**DIE 97** - 26-5/8" OD X 18-5/8" OD

26 EA - .750" BOLT HOLES



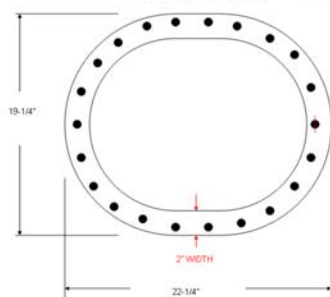
**DIE 98R** - 27-1/2" OD X 19-3/8" OD

26 EACH - 11/16" BOLT HOLES



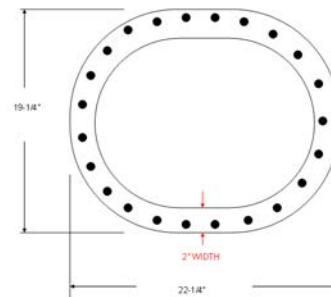
**DIE 103-22** 22-1/4" OD X 19-1/4" OD

22 EA - .750" BOLT HOLES



**DIE 103-23** 22-1/4" OD X 19-1/4" OD

23 EA - .750" BOLT HOLES



**SAN DIEGO SEAL, INC.**

7635 RONSON ROAD • SAN DIEGO, CA 92111

TEL: 858-278-3270 • FAX: 858-278-2950

E-MAIL: sales@sandiegoseal.com