

DDG 51 CLASS

DMEX / DMGE INSULATING WASHER and FERRULE For ANCHOR BOLT ASSEMBLY



DDG 51 THRU 56 ONLY

INSULATING FERRULE

HH-P-0031, GL CLOTH WIRE INSERT
25/32" OD X 17/32" ID X **1/4" THICK**
SDSI PN: SDS-968250WIFG-531-250
DETAIL

INSULATING FERRULE

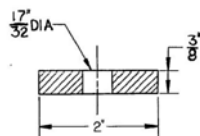
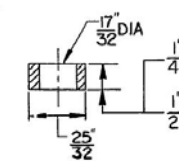
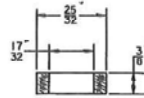
HH-P-0031, GL CLOTH WIRE INSERT
25/32" OD X 17/32" ID X **3/8" THICK**
SDSI PN: SDS-968500WIFG-531-375
DETAIL

INSULATING FERRULE

HH-P-0031, GL CLOTH WIRE INSERT
25/32" OD X 17/32" ID X **1/2" THICK**
SDSI PN: SDS-968500WIFG-531-500
DETAIL

INSULATING WASHER FLAT ROUND

FIBERGLASS, WIRE INSERTED
HH-P-0031, TY1, CL1,
2" OD X 17/32" ID X 3/8" THICK
SDSI PN: SDS-200WIFG-531
DETAIL



*

DDG 57 AS FOLLOWS

INSULATING FERRULE

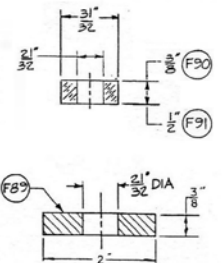
HH-P-0031, GL CLOTH WIRE INSERT
31/32" OD X 21/32" ID X **3/8" THICK**
SDSI PN: SDS-968375WIFG-656
DETAIL F90

INSULATING FERRULE

HH-P-0031, GL CLOTH WIRE INSERT
31/32" OD X 21/32" ID X **1/2" THICK**
SDSI PN: SDS-968500WIFG-656
DETAIL F91

INSULATING WASHER FLAT ROUND

FIBERGLASS, WIRE INSERTED
HH-P-31, TY1, CL1,
2" OD X 21/32" ID X 3/8" THICK
SDSI PN: SDS-200WIFG-656
DETAIL F89



ANCHOR BOLT ASSEMBLY HARDWARE

FULLY THREADED STUD: ½-13 UNC-2A X 4-1/2" LONG
SDSI PN: SDS-500114-625S / 625 INCONEL
SDSI PN: SDS-500114-316S / 316 STAINLESS STEEL
DETAIL F87

FERRULE - T SHAPE
2" OD X 17/32" ID X 3/4" LG
SDSI PN: SDS-200750-17-625 / 625 INCONEL
SDSI PN: SDS-200750-17-316 / 316 STAINLESS STEEL
DETAIL A-3

HEAVY DUTY HEX NUT (DOUBLE CHAMFER) ½-13 UNC-2B
SDSI PN: SDS-500114-625N / 625 INCONEL
SDSI PN: SDS-500114-316N / 316 STAINLESS STEEL
DETAIL F88

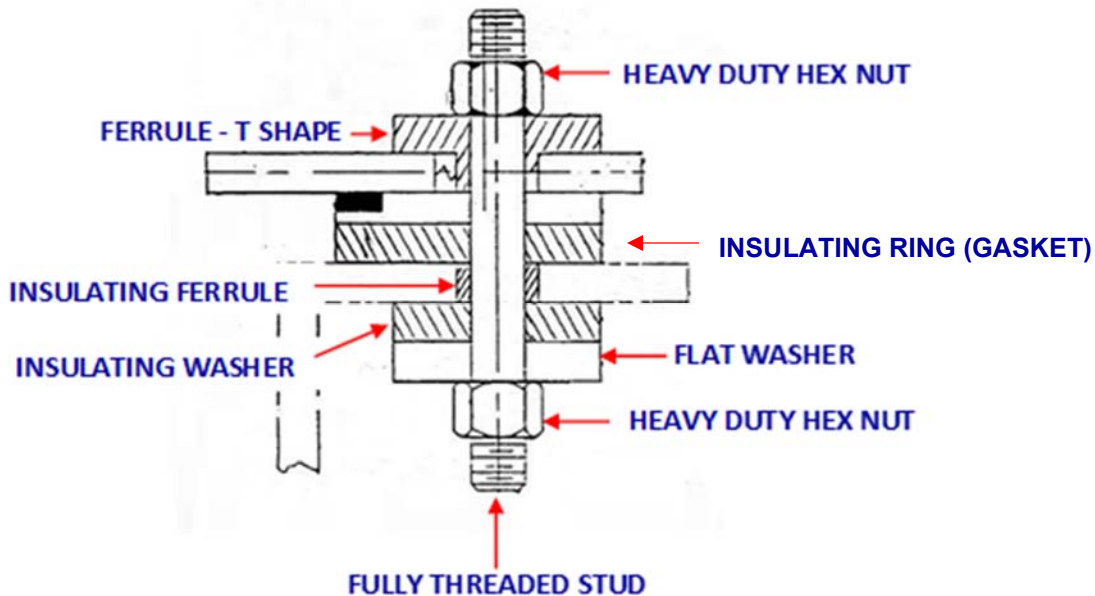
FLAT WASHER
2" OD x 17/32" ID x 3/8" THK
SDSI PN: SDS-200-17-625 / 625 INCONEL
SDSI PN: SDS-200-17-316 / 316 STAINLESS STEEL
DETAIL A-4

FULLY THREADED STUD: 5/8-11 UNC-2A X 4-1/2" LONG
SDSI PN: SDS-625114-625S / 625 INCONEL
SDSI PN: SDS-625114-316S / 316 STAINLESS STEEL
DETAIL F87

FERRULE - T SHAPE
2" OD X 21/32" ID X 3/4" LG
SDSI PN: SDS-200750-625 / 625 INCONEL
SDSI PN: SDS-200750-316 / 316 STAINLESS STEEL
DETAIL B-3

HEAVY DUTY HEX NUT (DOUBLE CHAMFER) 5/8-11 UNC-2B
SDSI PN: SDS-625114-625N / 625 INCONEL
SDSI PN: SDS-625114-316N / 316 STAINLESS STEEL
DETAIL F88

FLAT WASHER
2" OD x 21/32" ID x 3/8" THK
SDSI PN: SDS-200-625 / 625 INCONEL
SDSI PN: SDS-200-316 / 316 STAINLESS STEEL
DETAIL B-4



INSULATING RINGS (GASKETS) FOR DMEX and DMGE ANCHOR BOLT ASSEMBLIES AVAILABLE



SAN DIEGO SEAL, INC.

7635 RONSON ROAD • SAN DIEGO, CALIFORNIA 92111

TEL: 858-278-3270 • FAX: 858-278-2950

E-MAIL: sales@sandiegoseal.com • VISIT US AT: www.sandiegoseal.com